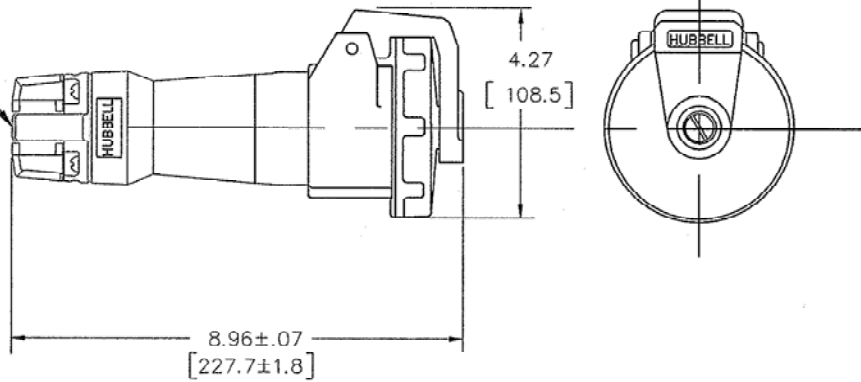


M-6056 6

CABLE DIA.
 \emptyset 3/8" MAX.
 [9.50]
 \emptyset 1.250 MAX.
 [38.80]



LIST OF PARTS

DESCRIPTION	MATERIAL	FINISH
HOUSING	SEE TABLE	
INTERIOR	THERMOSET	
SLEEVES	BRASS	
PH & NEUT. SPR.	STAIN. STEEL	
GRD. INSERT	BERR COPPER	SILVER
TERM. SCRS.	STAIN. STEEL	
COVER	POLYESTER	
COV. SCR.	BRASS	NICKEL
COV. SPR.	STAIN. STEEL	
GASKET	NEOPRENE	
DISC	POLYCARBONATE	
ARM	POLYESTER	
HINGE PIN	STAIN. STEEL	
HNGE SPR.	STAIN. STEEL	
GLAND CAP	POLYESTER	
GLANDS	NEOPRENE	
CLAMPS	POLYESTER	
CLAMP NUTS	BRASS	NICKEL
ASS'Y SCRS	STAIN. STEEL	

CAT. NO.	CONFIGURATION	RATING	HOUSING		CAT. NO.	CONFIGURATION	RATING	HOUSING	
			MATERIAL	COLOR				MATERIAL	COLOR
					HBL330C7W		30A 480 VAC	NYLON	RED
					HBL330C8V0DC		30A 550 VDC	PBT	BLACK
HBL330C4W		30A 125 VAC	NYLON	YELLOW					
HBL332C4W		32A 110-130VAC							
HBL330C6W		30 A 250 VAC	NYLON	BLUE					
HBL332C6W		32 A 220-240 VAC							

6	8.96 ± 0.07 [227.7 ± 1.8] WAS 9.05 [229.8]; REVISED NOTE 1 PER DCN #18364 RCM	DJP	10/4/11
SYM	REVISIONS	APP	DATE

THE DESIGN AND DIMENSIONS OF THE PRODUCT SHOWN ON THIS DRAWING ARE SUBJECT TO CHANGE WITHOUT NOTICE

TITLE
 30 & 32A. 2 POLE 3 WIRE PIN & SLEEVE CONNECTORS

NOTES: (UNLESS OTHERWISE SPECIFIED)
 1) TOLERANCES ARE:
 DECIMALS ±.03 [±.8]
 ANGLES ± 2°
 2) DIMENSIONS ARE INCHES [MILLIMETERS]

TOLERANCES UNLESS OTHERWISE SPECIFIED		FRINGING DEVICE-KELLEMS HUBBELL INCORPORATED BRIDGEPORT, CT	
FRACIONS	11/64	DR. BY	MJK APP. BY DJP
DECIMALS	±.03	TR. BY	JMN SCALE NONE
ANGLES	± 2°	CHK'D BY	DJP DATE 6/13/06

CODE 74545

DIMENSION SHEET FOR CAT. NO. M-6056 REPAIRABLE NON-REPAIRABLE SEE TABLE